

Safety Precautions

Read all safety precautions and installation instructions carefully before installing or servicing this fixture. Failure to comply with these instructions could result in potentially fatal electric shock and/or property damage.

It is recommended that a qualified electrician perform all wiring. This fixture must be wired in accordance with all national and local electrical codes.

Do not handle any energized fixture or attempt to energize any fixture with wet hands or while standing on a wet or damp surface or in water.

This fixture is designed for use in a 110-120VAC, 60Hz fused circuit. Do not use on a dimming circuit.

To reduce the risk of electrical shock, and to assure proper operation, this fixture must be adequately grounded. To accomplish proper grounding, there must be a separate ground wire (green) contact between this fixture and the ground connection of your main power supply panel.

This fixture is intended to be used for general indoor lighting in dry or damp locations only.

ASSEMBLY INSTRUCTIONS

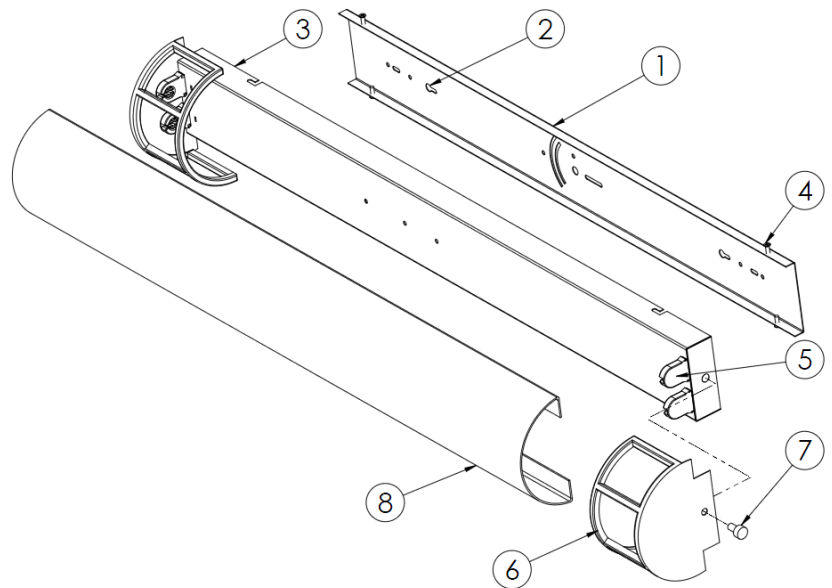
1. Preparing for installation

- A. **Disconnect electrical power** at fuse or circuit breaker box before installing or servicing any part of this fixture.
- B. Carefully remove the fixture from the carton, and check that all parts are included, as shown in figure.

2. Mounting & Wiring (all wiring must take place inside junction box)

Caution: Make sure power is off at fuse or circuit breaker box. Check power wires for damage or scrapes. If power supply wires are within three inches of the ballast power supply, use wire suitable for at least 90C (194F). **Note:** Most dwellings built before 1985 have supply wire rated to 60C. Consult a qualified electrician before installing.

- A. Position the back plate mounting channel (1) against the wall covering the junction box (not included) and secure with the two screws included. Mark placement of mounting keyhole slots (2).
- B. Drill appropriate sized holes or install wall anchors to accept mounting screws (not included).
- C. Connect the power source ground wire to the green or bare copper wire from the fixture assembly.
- D. Using wire nuts (provided), connect white supply wire to white ballast lead. Connect black supply wire to black ballast lead. **Do not mix wires.** Pull on each wire lead to make sure connections are secure. Make certain no bare wires are exposed outside of wire connectors.
- E. Tuck all connections neatly into junction box (not included).
- F. Fasten channel securely to the wall.
- G. Install the fixture housing (3) to the channel by sliding the slots in the housing over the screws (4) in the channel and tightening the screws.



3. Lamp Installation

- A. Install T8 lamps (not included) into sockets (5) by inserting lamp pins into socket and rotating 90°.

4. Diffuser Assembly

- A. Install one end (6) using the thumbscrew (7).
- B. Slide the diffuser (8) into the installed end, and install the other end with thumbscrew to secure diffuser in place.
5. Restore power at fuse or circuit breaker box.

Limited Factory Warranty

AFX warrants this fixture is free from defects in materials and workmanship when installed and used under normal operating conditions for a period of 3 years from date of purchase. This warranty covers all component parts and extends only to replacement of defective fixture or components; it does not cover failure due to improper installation, misuse, mishandling or damage incurred in transit. This product uses an ENERGY STAR approved ballast. In the event that ballast replacement is required, please contact a qualified electrician.